

Flowsensor Type WS-PE

for hot water up to 180°C / 200°C

DN 40...100



Special Features

- Interchangeable measuring element
- No influence by external magnetic fields
- Pulsers may be equipped easily

Application

- For measuring hot water up to 180°C in pressure rate PN 16
- For measuring hot water up to 200°C in pressure rate PN 40
- For special applications in power plants

Available Designs

Size	40		50		65		80		100	
Temperature in °C	200	180	200	180	200	180	200	180	200	
Pressure in bar	40	16	40	16	40	16	40	16	40	
Body material	GS 45	GG 25	GS 45	GG 25	GS 45	GG 25	GS 45	GG 25	GS 45	
Order No. Meter cpl.	826040	826338	825961	826340	826003	826342	825963	826344	825965	
Order No. Meas. insert	826044	826346	825955	826348	826001	826350	825957	826352	825959	

Installation requirements

- Unrestricted straight pipe 3 x DN
- No restrictions directly behind the meter

Installation

Pipe	horizontal	—
Meter head	upwards	↑

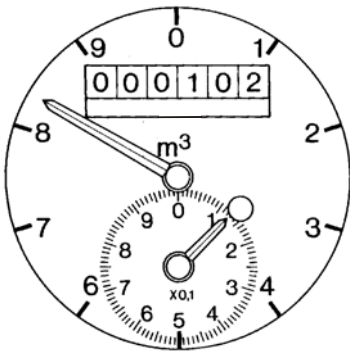
Performance table COSMOS WS 180 / 200 °C

Size of meter		DN	40	50	65	80	100
Maximum peak flow (few minutes)	Q _{max}	m ³ /h	20	25	50	70	100
Continuous flow	Q _n	m ³ /h	10	15	25	40	60
Transitional flow ± 2%	Q _t	m ³ /h	2.25	2.25	3.75	6.00	9.00
Minimum flow	Q _{min}	m ³ /h	0.70	0.70	1.10	1.60	2.40
Starting flow		m ³ /h	0.25	0.25	0.35	0.35	0.40

Pulse Values

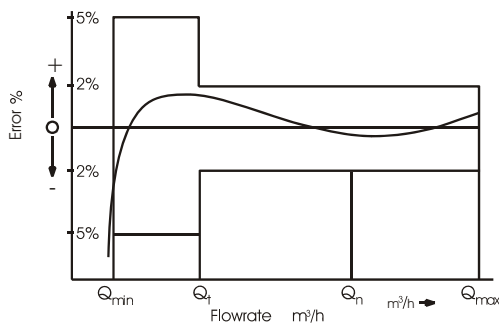
Pulser Type	Pulse Value
K 02	0,25 and 0,1 m ³ or 0.25 and 0.025 m ³ (special register)
K 06, K 10	0.001 m ³
K 05, K 09	0.01 m ³

Dial



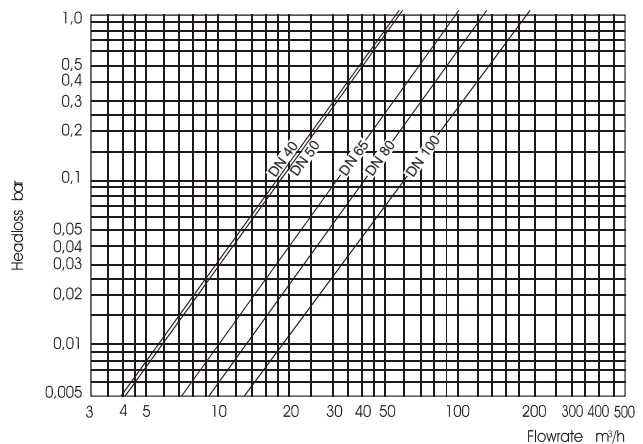
Smallest Reading m ³	Max. Reading m ³
0.001 m ³	1 000 000

Typical accuracy curve



- Q_{max} = max. flow
- Q_n = nominal flow
- Q_t = transitional flow
- Q_{min} = min. flow

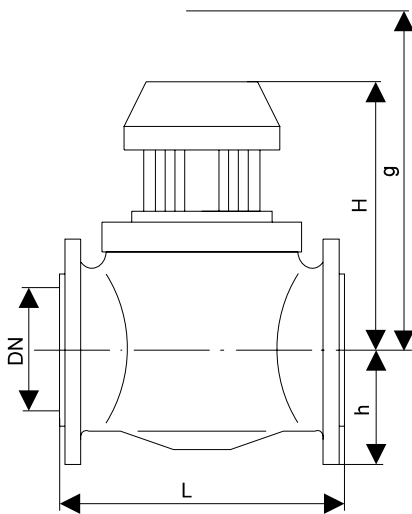
Typical head loss curve



Dimensions

Size of meter		DN	40	50	65	80	100
Overall length	L	mm	300	270	300	300	360
Height	H	mm	195	195	205	205	235
	h	mm	80	80	100	100	110
	g	mm	325	325	345	345	385
Width	B	mm	170	170	200	200	260

Dimension picture



Weights

200°C PN 40

Size	DN	40	50	65	80	100
Meter	kg	20.0	19.7	25.4	27.6	52.7
Insert	kg	4.2	4.2	4.4	4.4	13.2

180°C PN 16

Size	DN	40	50	65	80	100
Meter	kg		13.7	17.7	19.7	32.7
Insert	kg		2.7	2.7	2.7	7.7